

PLEASE CHECK WWW.MOLEX.COM FOR LATEST PART INFORMATION

Part Number: [0351430201](#)
Status: **Active**
Description: 2.00mm (.079") Dia Wire-to-Wire Housing, Plug, 2 Circuits

Documents:

[3D Model](#) [Product Specification PS-35141-001 \(PDF\)](#)
[Drawing \(PDF\)](#) [RoHS Certificate of Compliance \(PDF\)](#)

Agency Certification

UL E29179

General

Product Family Crimp Housings
 Series [35143](#)
 Product Name N/A

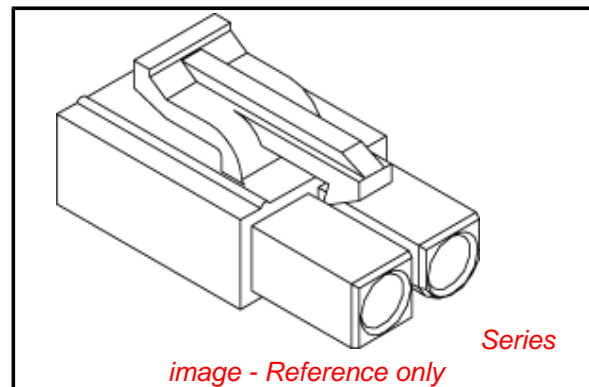
Physical

Breakaway No
 Circuits (maximum) 2
 Flammability 94V-2
 Gender Male
 Glow-Wire Compliant No
 Number of Rows 2
 Packaging Type Bag
 Panel Mount No
 Pitch - Mating Interface (in) 0.295 In
 Pitch - Mating Interface (mm) 7.50 mm
 Stackable No
 Temperature Range - Operating -25°C to +90°C

Material Info

Reference - Drawing Numbers

Product Specification PS-35141-001
 Sales Drawing SD-35143-020*



EU RoHS

**ELV and RoHS
 Compliant**
**REACH SVHC
 Contains SVHC: No**
**Halogen-Free
 Status**

China RoHS



**Need more information on product
 environmental compliance?**

Email productcompliance@molex.com
 For a multiple part number RoHS Certificate of
 Compliance, [click here](#)

Please visit the [Contact Us](#) section for any
 non-product compliance questions.

Search Parts in this Series

[35143Series](#)

Mates With

[35141](#)

Use With

[35728-0201](#)

8 7 6 5 4 3 2 1

DO NOT SCALE DRAWING
DIMENSION IN METRIC

PROJECT NO.	SIMILAR ITEM	EDP NO.	ENG. NO SD 35143-020*																																																								
<p>NOTES</p> <p>1. MATERIAL: NYLON 6 (UL94-V2)</p> <p>2. APPLICABLE TERMINAL: 35728-0201</p> <p>3. MATING HOUSING: 35141-020*</p> <p>4. COLOR : 35143-0201 (NATURAL) 35143-0202 (RED)</p>		<p>SECTION A-A*</p>																																																									
<table border="1"> <tr> <th>REV</th> <th>DESCRIPTION</th> <th>DATE</th> <th>BY</th> <th>CHK</th> </tr> <tr> <td>C</td> <td>REVISED</td> <td>93.01.18</td> <td>YANG</td> <td></td> </tr> <tr> <td>B</td> <td>REVISED</td> <td>92.5.18</td> <td>YANG</td> <td></td> </tr> <tr> <td>A</td> <td>NEW RELEASED</td> <td>92.3.5</td> <td>YANG</td> <td></td> </tr> </table>		REV	DESCRIPTION	DATE	BY	CHK	C	REVISED	93.01.18	YANG		B	REVISED	92.5.18	YANG		A	NEW RELEASED	92.3.5	YANG		<table border="1"> <tr> <th>ASS'Y PART</th> <th>QTY/REEL OR PACK</th> <th>SURFACE AREA</th> <th>MATERIAL</th> </tr> <tr> <td>DESCRIPTION</td> <td>500 P'TY/BAG</td> <td>MM²</td> <td>SEE NOTES</td> </tr> <tr> <td>ENG.NO.</td> <td></td> <td></td> <td></td> </tr> <tr> <td>DIE NO.</td> <td></td> <td>LAYOUT NO.</td> <td>DIMENSION CLASSIFICATION</td> </tr> <tr> <td></td> <td></td> <td></td> <td> <input checked="" type="checkbox"/> : CRITICAL <input checked="" type="checkbox"/> : MAJOR <input type="checkbox"/> : MINOR () : REFERENCE </td> </tr> <tr> <td>WIRE CRIMP WIDTH</td> <td></td> <td>INS. CRIMP WIDTH</td> <td>DRAWN BY W.Y.YANG</td> </tr> <tr> <td></td> <td></td> <td></td> <td>CHK'D BY</td> </tr> <tr> <td>DIE FEED</td> <td>APPL FEED</td> <td>WBDW</td> <td>APP'D BY</td> </tr> <tr> <td>---</td> <td>---</td> <td>---</td> <td>SCALE N/S</td> </tr> </table>		ASS'Y PART	QTY/REEL OR PACK	SURFACE AREA	MATERIAL	DESCRIPTION	500 P'TY/BAG	MM ²	SEE NOTES	ENG.NO.				DIE NO.		LAYOUT NO.	DIMENSION CLASSIFICATION				<input checked="" type="checkbox"/> : CRITICAL <input checked="" type="checkbox"/> : MAJOR <input type="checkbox"/> : MINOR () : REFERENCE	WIRE CRIMP WIDTH		INS. CRIMP WIDTH	DRAWN BY W.Y.YANG				CHK'D BY	DIE FEED	APPL FEED	WBDW	APP'D BY	---	---	---	SCALE N/S
REV	DESCRIPTION	DATE	BY	CHK																																																							
C	REVISED	93.01.18	YANG																																																								
B	REVISED	92.5.18	YANG																																																								
A	NEW RELEASED	92.3.5	YANG																																																								
ASS'Y PART	QTY/REEL OR PACK	SURFACE AREA	MATERIAL																																																								
DESCRIPTION	500 P'TY/BAG	MM ²	SEE NOTES																																																								
ENG.NO.																																																											
DIE NO.		LAYOUT NO.	DIMENSION CLASSIFICATION																																																								
			<input checked="" type="checkbox"/> : CRITICAL <input checked="" type="checkbox"/> : MAJOR <input type="checkbox"/> : MINOR () : REFERENCE																																																								
WIRE CRIMP WIDTH		INS. CRIMP WIDTH	DRAWN BY W.Y.YANG																																																								
			CHK'D BY																																																								
DIE FEED	APPL FEED	WBDW	APP'D BY																																																								
---	---	---	SCALE N/S																																																								
<table border="1"> <tr> <th>WIRE RANGE</th> <th>GENERAL TOLERANCES</th> <th rowspan="2"> MOLEX-KOREA CO.,LTD. </th> </tr> <tr> <td>AWG: ---</td> <td>DIM. : +0.25</td> </tr> <tr> <td>MM² : ---</td> <td>ANGLE :</td> <td>REVISE ONLY ON CAD SYSTEM</td> </tr> <tr> <td>INSULATION RANGE</td> <td>TITLE:</td> <td>Ø2.0 PLUG HOUSING-2P</td> </tr> <tr> <td></td> <td>ENG.NO.</td> <td>SD 35143-020*</td> </tr> </table>		WIRE RANGE	GENERAL TOLERANCES	MOLEX-KOREA CO.,LTD.	AWG: ---	DIM. : +0.25	MM ² : ---	ANGLE :	REVISE ONLY ON CAD SYSTEM	INSULATION RANGE	TITLE:	Ø2.0 PLUG HOUSING-2P		ENG.NO.	SD 35143-020*	<table border="1"> <tr> <td>IOF I</td> <td>REV C</td> </tr> </table>		IOF I	REV C																																								
WIRE RANGE	GENERAL TOLERANCES	MOLEX-KOREA CO.,LTD.																																																									
AWG: ---	DIM. : +0.25																																																										
MM ² : ---	ANGLE :	REVISE ONLY ON CAD SYSTEM																																																									
INSULATION RANGE	TITLE:	Ø2.0 PLUG HOUSING-2P																																																									
	ENG.NO.	SD 35143-020*																																																									
IOF I	REV C																																																										

8 7 6 5 4 3 2 1 MK-9